

eSIGN / Accessories

**Bracket for 1-sided mount. BK Type 4X****Part No.:** 960.000.65**MECHANICAL DATA**

|                       |       |
|-----------------------|-------|
| Height                | 99 mm |
| Diameter              | 70 mm |
| Materials             | PA-GF |
| Housing colour        | Black |
| Weight with packaging | 65 g  |
| Product weight        | 56 g  |

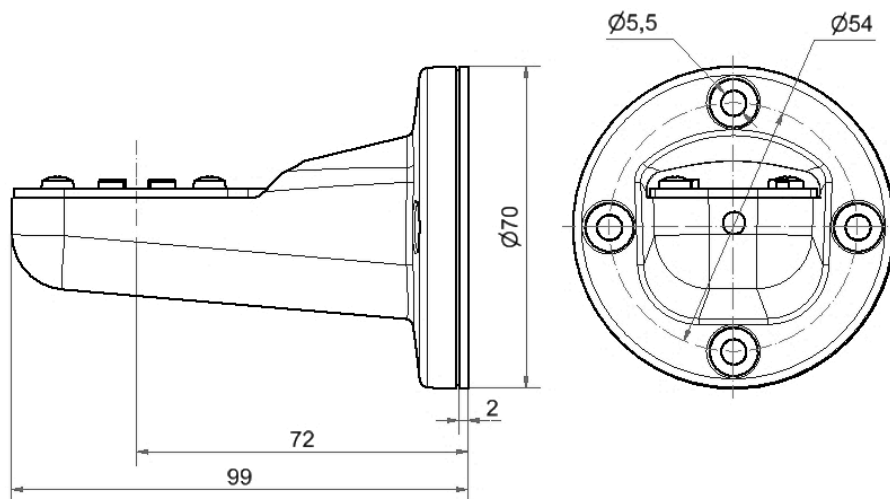
**APPROVAL DATA**

|                               |    |
|-------------------------------|----|
| Conforms with CE              | No |
| WEEE                          | No |
| Conforms with ATEX-directive  | No |
| Conforms with CCC-Ex          | No |
| Conforms with CCC             | No |
| Conforms with UL              | No |
| Conforms with FCC             | No |
| Conforms with IC              | No |
| EAC certificate available     | No |
| Conforms with UKCA (Importer) | No |
| Conforms with CMIM            | No |
| Conforms with AS-I            | No |
| Conforms with DNV             | No |
| Conforms with RoHS CN         | No |
| Conforms with VdS             | No |



For additional installation and mounting information, refer to the appropriate user guide at [www.werma.com](http://www.werma.com). This printed copy is for information only and is subject to alteration.

eSIGN / Accessories

**Bracket for 1-sided mount. BK Type 4X****DRAWING**

For additional installation and mounting information, refer to the appropriate user guide at [www.werma.com](http://www.werma.com). This printed copy is for information only and is subject to alteration.